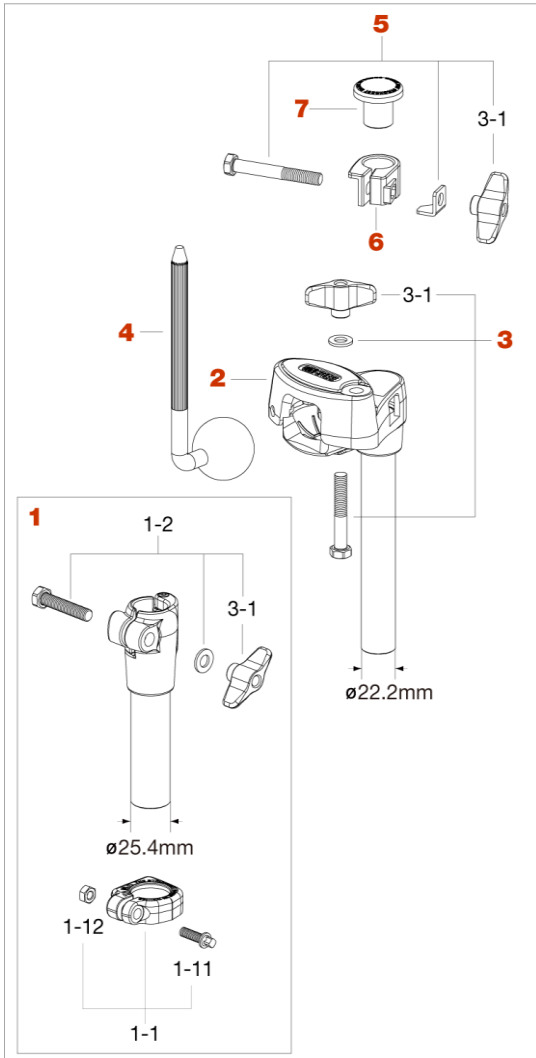


MTH900BS Single Tom Holder

Production from Nov.2012



No.	Model No.	Description
1	MTH9091	Base pipe assembly
1-1	ML254TC	Memory Lock
1-11	MS620SH	Square head bolt (M6x20mm)
1-12	NT6	Nut (M6)
1-2	HB840WN8	Bolt (M8x40mm), nut & washer assembly
2	MTH900BS1	Upper tube w/casting
3	HB850WN8W	Bolt (M8x50mm), washer & nut assembly
3-1	WN8P	Wing nut (2pcs/pack)
4	LLB-N	Ball rod
5	HB860WN8L	Bolt (M8x60mm), plate & nut assembly
6	NB2219	Nylon bushing (22.2mm-19.1mm)
7	MTH-CAP19	Plastic cap for MTH900B