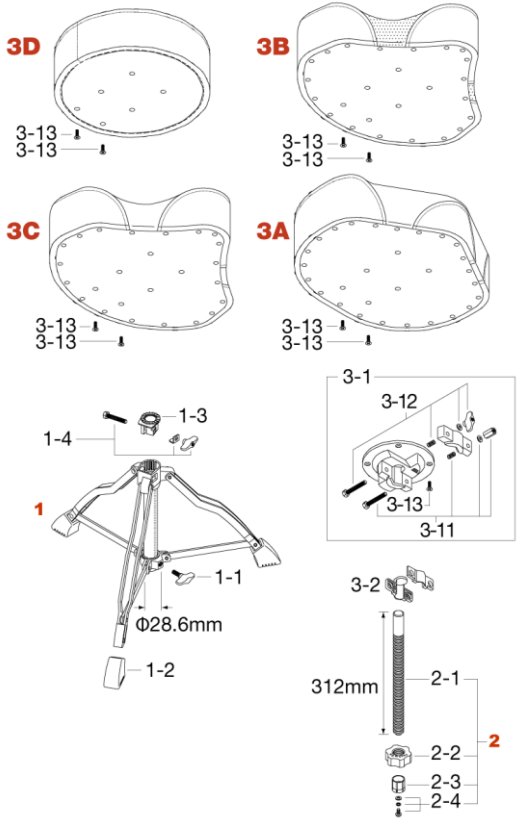


(HT730,HT530C,HT530,HT430) Drum Throne <Discontinued>

Production from Jul. 2004 to Dec. 2008



No.	Model No.	Substitutable Model No.	Description
1	HT530-1		Throne base
1-1	TS816P		T-bolt (M8x16mm,2pcs/pack)
1-2	RF-FL		RF-FL Rubber tip "Foot Life" (1pc)
1-3	PB286FC4		Nylon bushing (28.6mm-22.2mm)
1-4	HB850WN8L		Bolt (M8x50mm),L-plate, & nut assembly
2	HT530-2 (Discontinued)	HT730-2	Upper threaded rod w/round nut
2-1	HT510-21 (Discontinued)	N/A	Threaded rod
2-2	HT510-22 (Discontinued)	HT730-22	Round nut "Height Lock"
2-3	HT510-23		Plastic piece "Rocklok"
2-4	HS70W-26		Screw, spring washer, & washer assembly
3A	HTS7 (Discontinued)	HTS7B	Seat & casting assembly "Ergo-Rider"
3B	HTS5C (Discontinued)	HTS5BC	Seat & casting assembly "Wide Rider Cloth Top"
3C	HTS5 (Discontinued)	HTS5B	Seat & casting assembly "Wide Rider"
3D	HTS4N (Discontinued)	HTS4B	Seat & casting assembly "Round Rider"
3-1	HTS5-1 (Discontinued)	HSH5	Casting complete "Sit Tight"
3-11	HB855HN8T		Bolt, spring, washer & hex-nut assembly
3-12	HB855WN8T		Bolt, spring, washer & wing nut assembly
3-13	S1434		Mounting screw (W1/4"x3/4"L)
3-2	SSL22S* (Discontinued)	N/A	Swivel sleeve

The Changes from previous model are:
Fixing way the upper rod (Picture 1, 1-3, & 1-4).

Note: SSL22S
If the seat bracket (HTS5-1) is below figure "A" (no center hole), the SSL22S can't be used.

