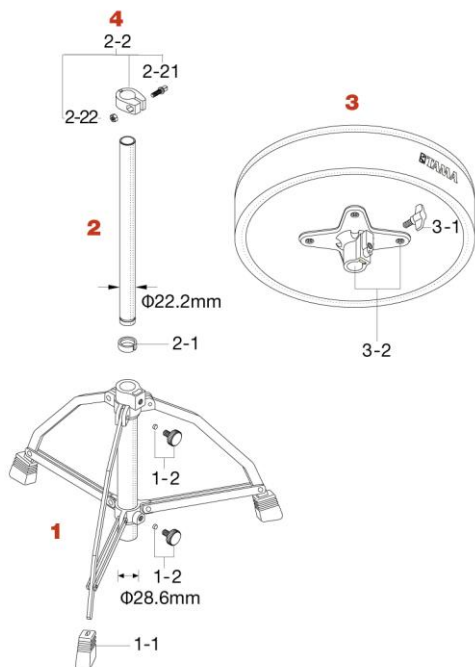


HT25 Drum Throne <Discontinued>

Production from July 2005 to May 2016



No.	Model No.	Substitutable Model No.	Description
1	HT25-1		Base assembly
1-1	RF-S25		Rubber tip
1-2	NN816C		Round screw & plastic tip
2	HT25-2		Center tube assembly
2-1	PR222		Plastic ring (22.2mm)
2-2	ML222NT		Memory lock (22.2mm) for Thone
2-21	MS620SH		Square head bolt (M6x20mm)
2-22	NT6		Nut (M6)
3	HT25-3 (Discontinued)	HT253	Seat assembly
3-1	TS818P		T-bolt (M8x18mm, 2pcs/pack)
3-2	HT25-32 (Discontinued)	HSH4 S615P4	Casting w/screws