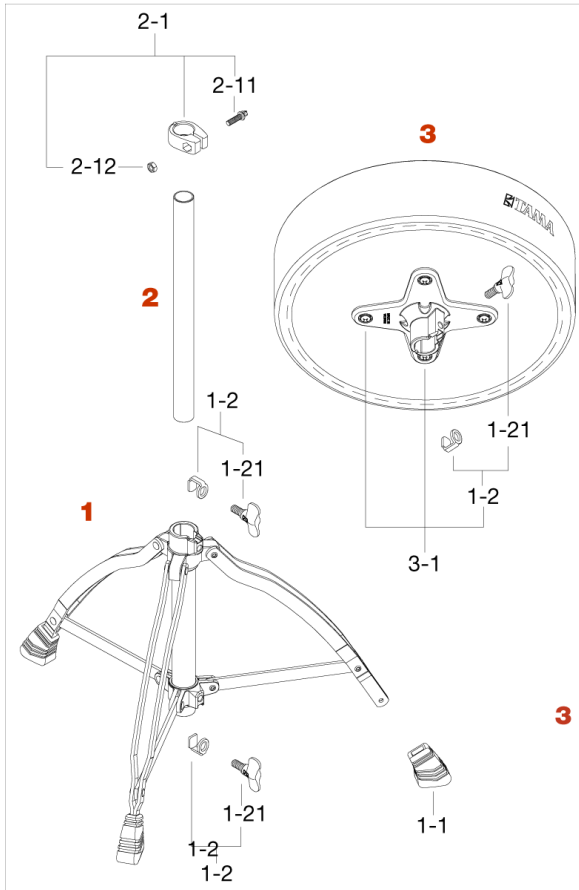


# HT130 Drum Throne

Production since Apr. 2012



No.	Model No.	Description
<b>1</b>	HT1301	<b>Base assembly</b>
1-1	RFW130P3	Rubber tip (3pcs/set)
1-2	HT13032	Push plate w/ T-bolt
1-21	TTR816P	T-bolt (M8x16mm,2pcs/set)
<b>2</b>	HT1302	<b>Center tube assembly</b>
2-1	ML222NT	Memory lock (22.2mm) for throne
2-11	MS620SH	Square head bolt (M6x20mm)
2-12	NT6	Nut (M6)
<b>3</b>	HT1303	<b>Seat &amp; casting assembly</b>
3-1	HT13031	Casting w/ screws