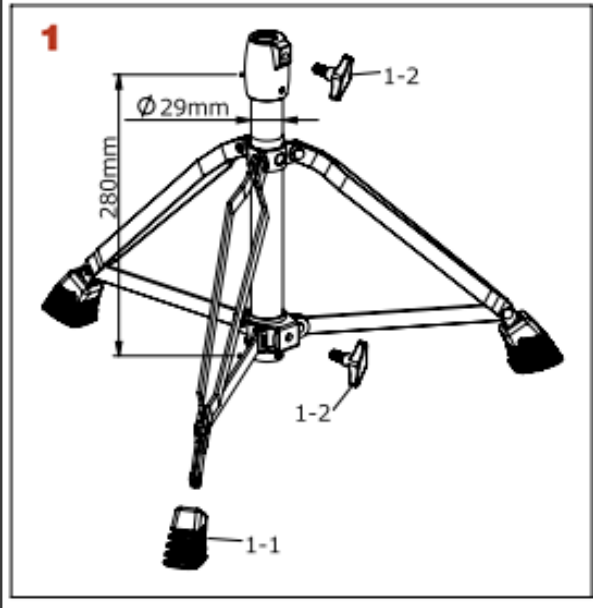
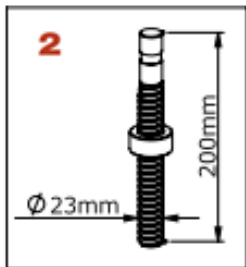
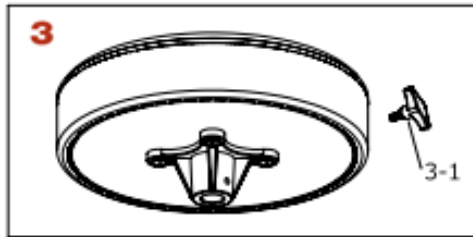


HT02 Drum Throne

Production from May. 2016



No.	Model No.	Description
1	HT021	Bass assembly
1-1	RF2JWP3	Rubber tip (3pcs/pack)
1-2	TS815J	T-bolt (M8x15mm)
2	HT022	Screw rod & nut
3	HT023	Seat complete
3-1	TS615J	T-bolt (M6x15mm)