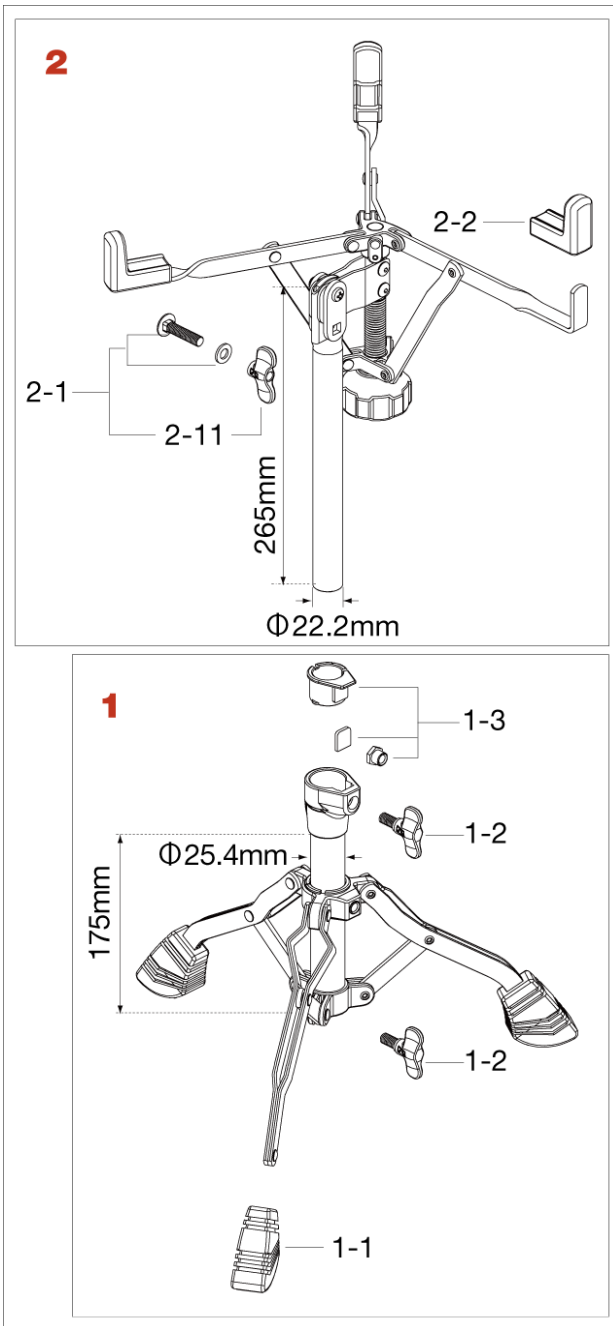


HS40LOWN Snare Stand

Production from Jan. 2019



No.	Model No.	Description
1	HS40WN1	Base assembly
1-1	RFC4WP3	Rubber tip (3pcs/set) for double braced leg
1-2	TTR816P	T-bolt (M8x16mm,2pcs/set)
1-3	NB2522T	Nylon bushing(25.4mm-22.2mm) , plate, & nut assembly
2	HS40LOWN2	Upper tube & Basket assembly
2-1	B835TTN8W	Bolt (M8x35mm), washer & nut assembly
2-11	TTN8P	T-nut (M8) 2pcs
2-2	RGCW3	Rubber gripper (3pcs/set)