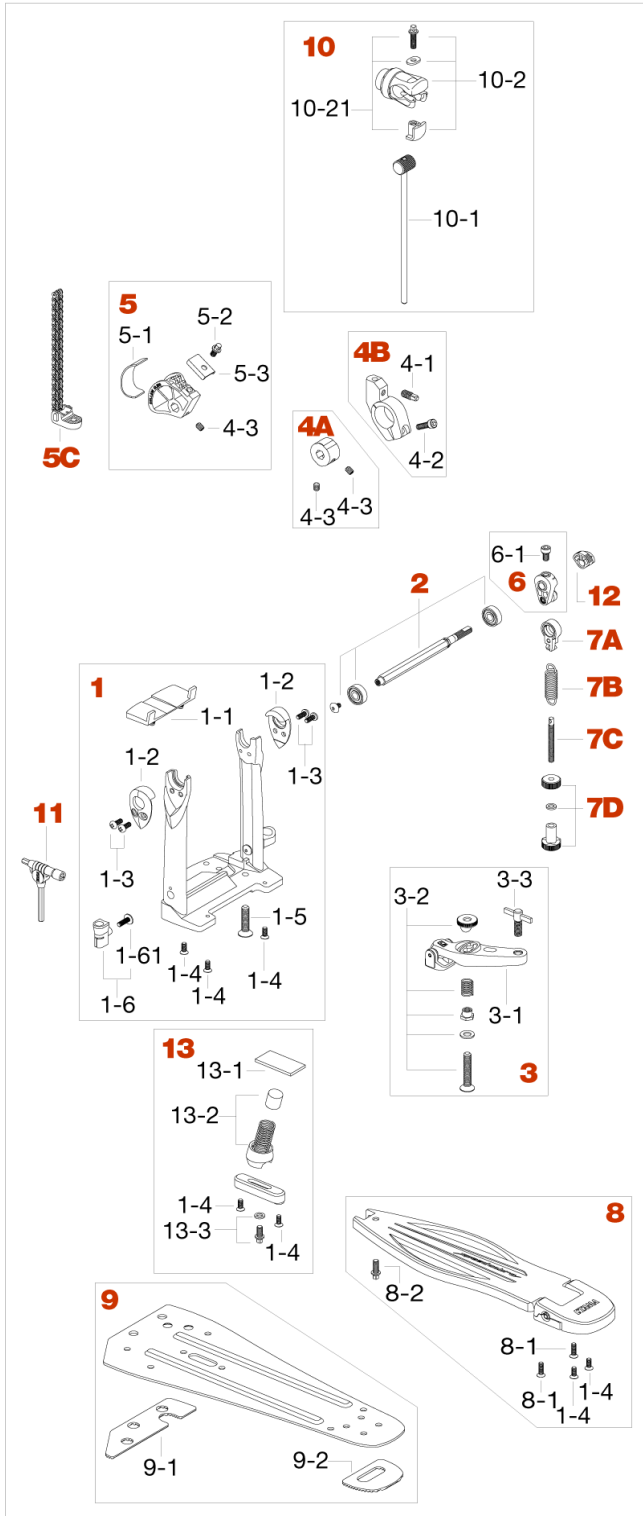


HP910LN Speed Cobra Single Pedal

Production Jul. 2015



No.	Model No.	Description
1	HP91N1	Flame assembly for single pedal
1-1	HP9N11	Rubber plate
1-2	HP91F3	Metal bearing cover (1pc)
1-3	B512NP	Screw (M5x12mm, nickel, 2pcs/set)
1-4	S512	Screw (M5x12mm)
1-5	L835	Screw (M8x35mm)
1-6	HP9N16	Drum hammer holder
1-61	L516	Screw (M5 x 16mm)
2	HP9N2	Shaft assembly
3	HP9N3	Para-Clamp II Pro
3-1	HP9N31	Clamp casting
3-2	HP9-32	Bolt (M8x47mm), spring, washer, spacer & nut assembly
3-3	WS826	T-bolt (M8x26mm)
4A	HP9N41	Vari-Pitch beater holder center casting w/screws
4B	HP9142	Vari-Pitch beater holder outer casting w/screws
4-1	S812SH	Square head bolt (M8x12mm)
4-2	L620C	Screw (M6x20mm, Chrome)
4-3	S68	Screw (M6x8mm)
5	HP9N5R	Rolling Glide LiteSprocket assembly
5-1	FPP	Felt pad
5-2	MS610SHP	Square head bolt (M6x10mm, 2pcs/set)
5-3	HP9N54	Pressure plate
5C	HP91N5C	Chain assembly
6	HP9N6	Speedo-Ring
6-1	L610C	Screw (M6x10mm)
7A	HP9N71	Quick hook
7B	HP910-7S	Spring only
7C	HP9N7C	Tension adjust bolt
7D	HP9N7D	Tension adjust nuts & washer
8	HP91N8	Footboard w/screws
8-1	S516	Screw (M5x16mm)
8-2	MS615SH	Square head bolt (M6x15mm)
9	HP91N9	Stabilizing plate complete
9-1	HP9N91	Rubber plate (toe side)
9-2	HP9N92	Rubber plate (heel side)
10	CB900AS	Accu-Strike Cobra Beatter (rubber)
10-1	CB9AS1	Beater shaft only (gold head)
10-2	CB900ASH	Accu-Strike Cobra Beatter Head (rubber)
10-21	CB9AS2	Bolt (M6x20mm), washer & silver nut assembly
11	DH7	Drum Hammer
12	AMC2	Angle memory cap
13	CC900S	Cobra Coil
13-1	FPCC	Cobra Coil Felt for footboard
13-2	CC900S3	Cobra Coil spring assembly
13-3	MS612SHW	Square head bolt (M6x12mm) w/washer