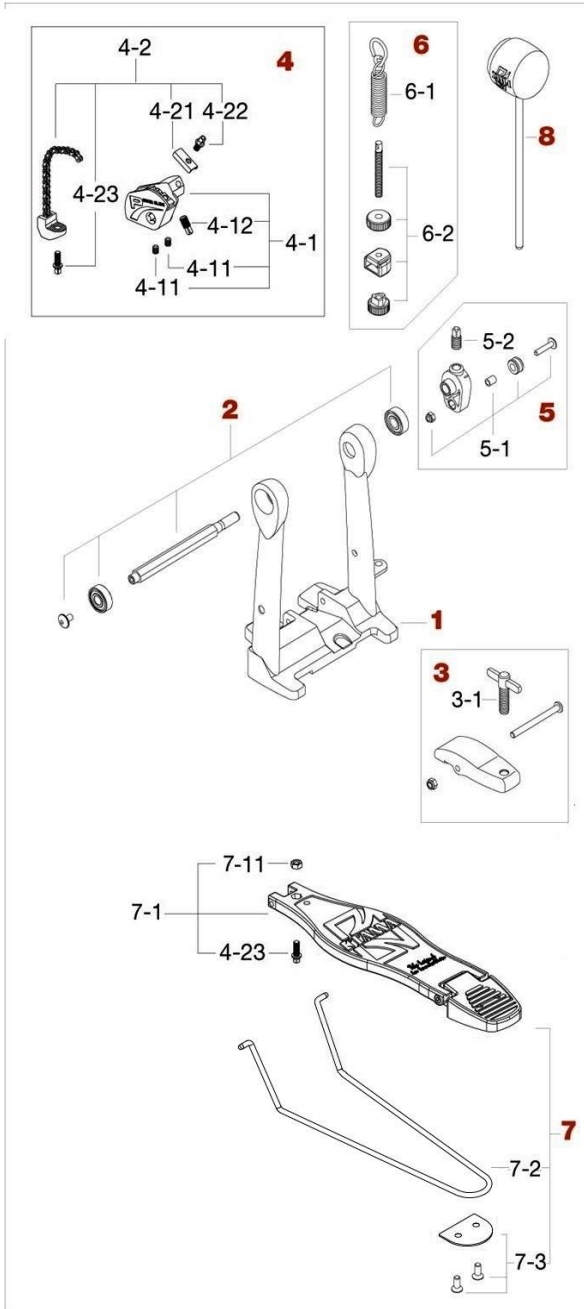


HP30 Drum Pedal

Production from July 2020



No.	Model No.	Description
1	HP301	Frame only
2	HP302	Shaft assembly
3	HP303	Hoop clamp assembly
3-1	WS826	T-bolt (M8x26mm)
4	HP200P5	Sprocket & chain assembly
4-1	HP200P51	Sprocket only w/screw
4-11	S68	Screw (M6x8mm)
4-12	S812SH	Screw (M8x12mm)
4-2	HP2-52	Chain assembly w/screw
4-21	HP2-521	Pressure plate
4-22	MS610SHP	Square head bolt (M6x10mm, 2pcs/set)
4-23	MS615SH	Screw (M6x15mm)
5	HP2-6	Rocker piece assembly
5-1	HP2-61	Plastic roller assembly
5-2	S812SH	Screw (M8x12mm)
6	HP2-7	Spring assembly
6-1	HP2-71	Spring & hook
6-2	HP2-72	Spring tight assembly
7	HP30H8	Footboard assembly
7-1	HP30H81	Footboard only
7-11	NT6	Nut (M6)
7-2	HP10-AM	Radius rod
7-3	HP20-83	Rod cover & screws
8	DS30	Dual sided beater

<Note>

- 4 Chain assembly is attached to sprocket with metal plate (4-21) and square headed bolt (4-22).
- 6-1 Spring is painted in black.
- 7 Chain assembly is attached to footboard with square headed bolt (4-23) and hex nut (7-11).