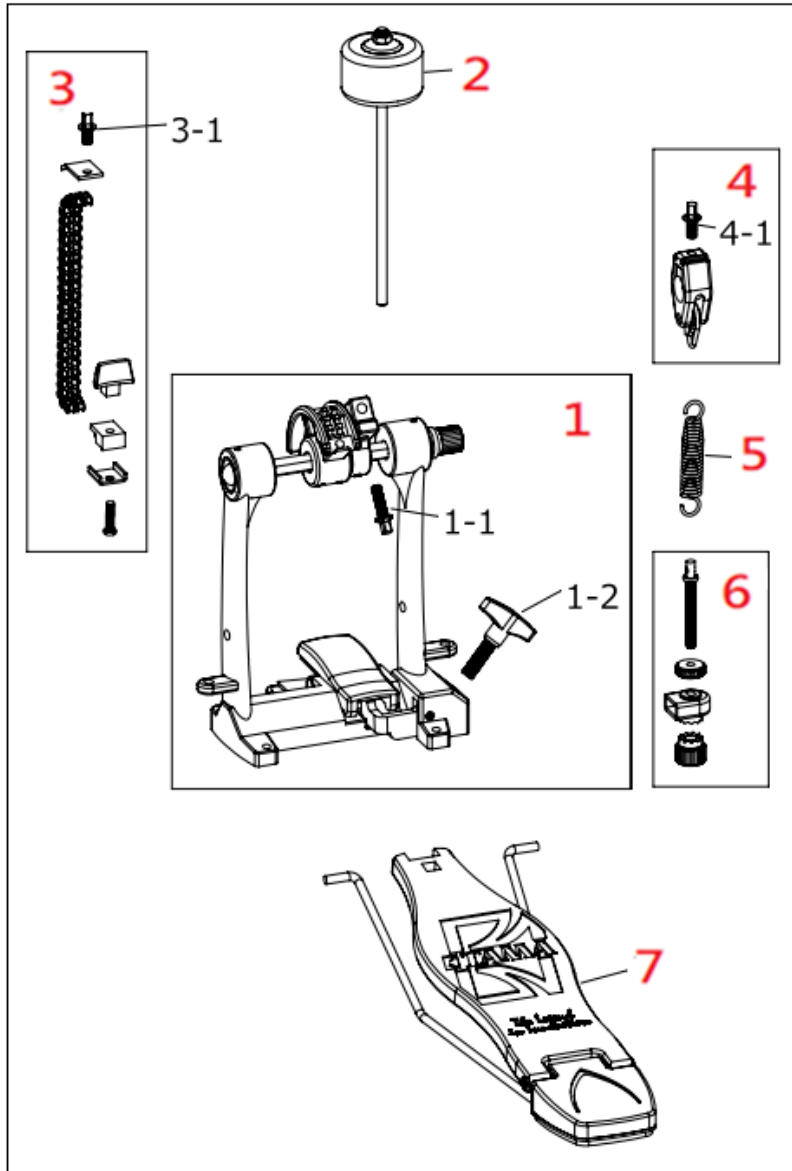


# HP02 Drum Pedal

Production from May. 2016



No.	Model No.	Description
<b>1</b>	HP021	Frame assembly
1-1	MS620SH	Square head bolt (M6x20mm)
1-2	TS825J	T-bolt (M8x25mm)
<b>2</b>	TTB30W	Felt beater
<b>3</b>	HP0251	Chain assembly
3-1	MS610SHP	Square head bolt (M6x10mm, 2pcs/pack)
<b>4</b>	HP026	Rocker cam assembly
4-1	MS612SH	Square head bolt (M6x12mm)
<b>5</b>	HP0271	Spring only
<b>6</b>	HP0272	Spring adjust bolt & nut assembly
<b>7</b>	HP028	Footboard assembly