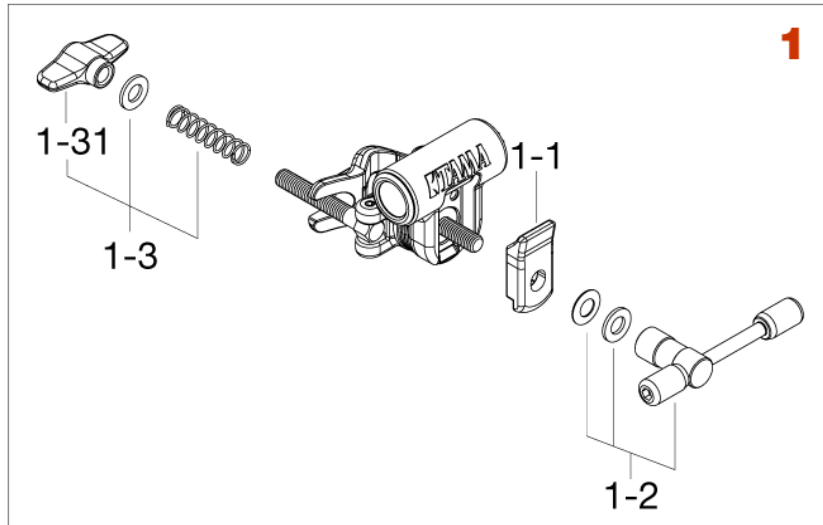
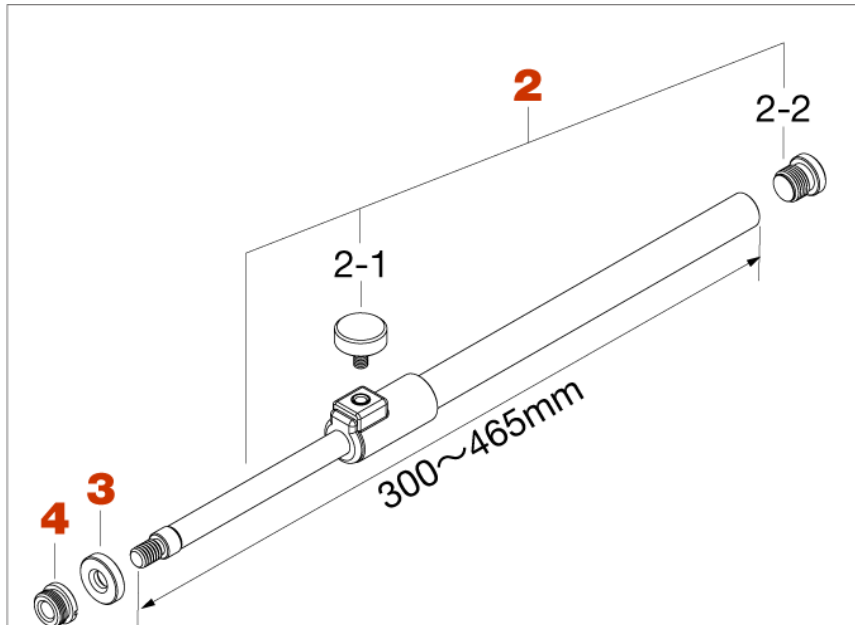


MSCA734BK Microphone Boom Arm with Clamp

Production since Mar. 2023



No.	Model No.	Description
1	734TC	Tilter Clamp Complete
1-1	734PP	Pressure Plate
1-2	734HDSB	Torque Nut & Washers
1-3	WN8WSP	T-nut, Washer & Spring
1-31	WN8P	Wing nut (M8, 2pcs/Pack)
2	CA734B1B	Boom Pipe (Telescoping, 3/8" connector)
2-1	205-NNB	Round Screw (Black, M6x12mm)
2-2	206SBB	Stopper Bolt
3	205-LN	Lock Nut
4	AD58E	Adapter