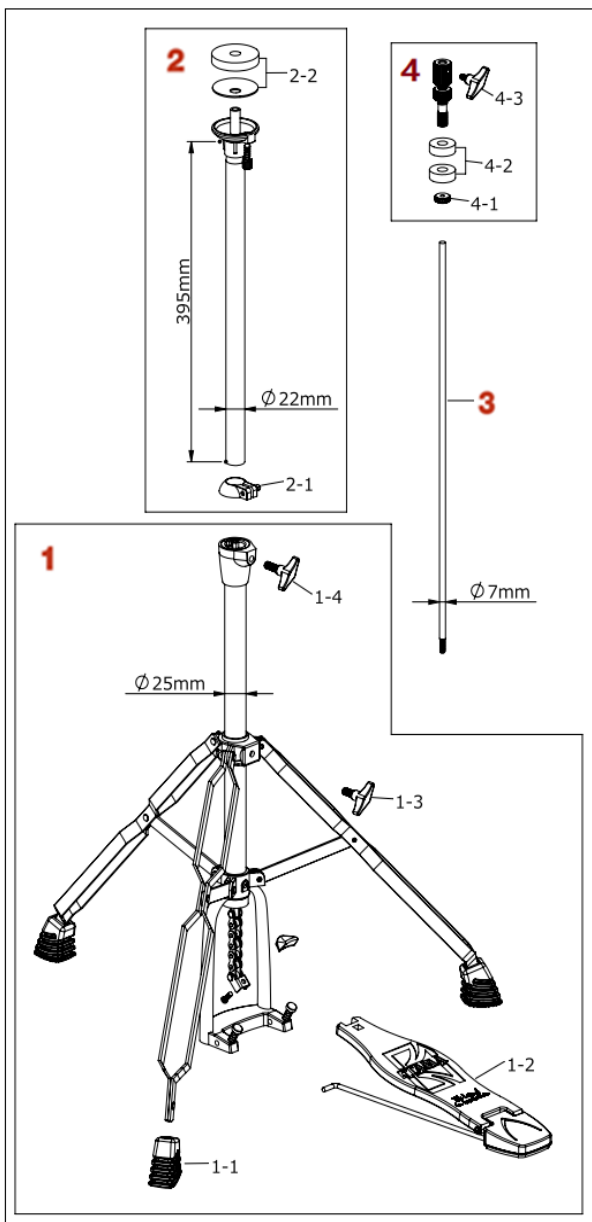


HH02W Hihat Stand <STAGESTAR>

Production from May. 2016



No.	Model No.	Description
1	HH02W1	Base assembly
1-1	RF2JWP3	Rubber tip (3pcs/pack)
1-2	HH02W11	Footboard assenbly
1-3	TS815J	T-bolt (M8x15mm)
1-4	TS820J	T-bolt (M6x20mm)
2	HC02W2	Upper tube assembly
2-1	ML22	Memory lock (φ22mm)
2-2	HH02W21	Felt & metal washer
3	HH02W3	Upper pull rod only (φ7, M6)
4	CL08J	Hi-hat clutch
4-1	CL08JLN	Lower nut
4-2	CL08-13P	Felt washer (2pcs/PACK)
4-3	TS610J	T-bolt (M6 x 10mm)