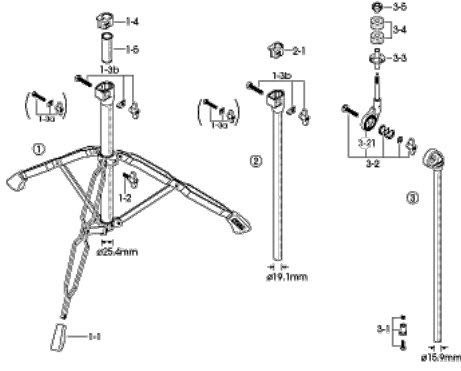


HC12R Straight Cymbal Stand <Discontinued>

Production since Nov.2010



No.	Model No.	Description
1	HC22W-1	Base assembly
1-1	SF-WP3	Rubber tip (3pcs/pack)
1-2	TS816P	T-bolt (M8x16mm, 2pcs/pack)
1-3a	HB840WN8S	Bolt, square washer & nut assembly (production - Jun.02)
1-3b	HB840WN8L	Bolt (M8x40mm), L-plate & nut assembly (production Jul.02-)
1-4	NB2219	Nylon bushing (25.4mm-19.1mm)
1-5	INS19	Insert (Stabilizing) bushing (25.4mm-19.1mm)
2	HC12-2	Center tube assembly
2-1	PB191H	Nylon bushing (19.1mm-15.4mm)
3	HC12-3	Upper tube assembly
3-1	IRC15	Insert rubber cap assembly
3-2	HC12-31	Cymbal tilter assembly
3-21	HC12-35	Cymbal tilter only
3-3	RB8P	Cymbal bottom (M8, 2pcs/pack)
3-4	7081P	Felt washer (2pcs/pack)
3-5	CM8P	Fixing nut (M8,2pcs/pack)