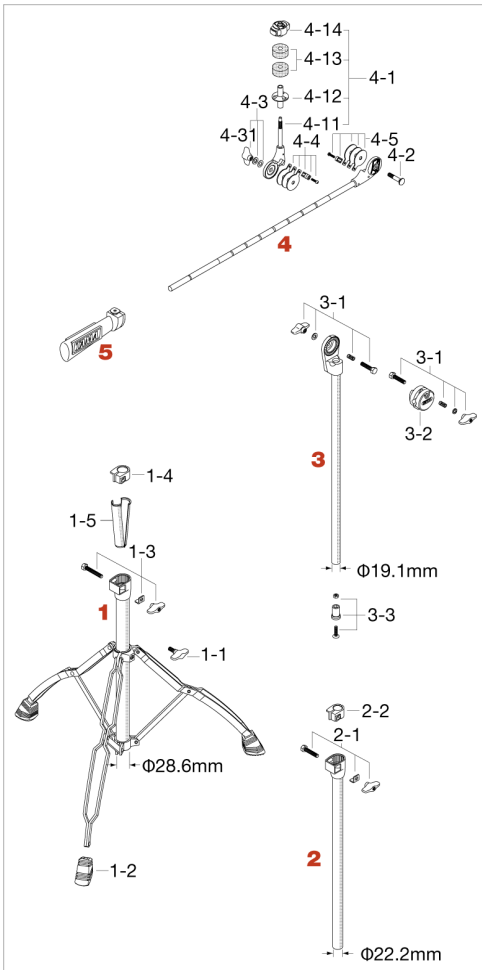


# HC74BWN Boom Cymbal Stand <Discontinued>

Production from Jun. 2009 to Oct. 2014



No.	Model No.	Description
<b>1</b>	HC72WN1	<b>Base assembly</b>
1-1	TS816P	T-bolt (M8x16mm 2pcs/pack)
1-2	RF-WP3	Rubber tip (3pcs/pack)
1-3	HB850WN8L	Bolt (M8x50mm),L-plate, & nut assembly
1-4	NB2822	Nylon bushing (28.6mm-22.2mm)
1-5	INS22N	Insert (Stabilizing) Bushing (28.6mm-22.2mm)
<b>2</b>	HC72W-2	<b>Center tube assembly</b>
2-1	HB840WN8L	Bolt (M8x40mm),L-plate, & nut assembly
2-2	NB2219	Nylon bushing (22.2mm-19.1mm)
<b>3</b>	HC73BW-3	<b>Upper tube assembly</b>
3-1	HB835WN8T	Bolt (M8x35mm),spring, washer & nut assembly
3-2	HC83B-33	Pressure casting
3-3	IRC19L	Insert rubber cap assembly (22.2mm-19.1mm)
<b>4</b>	MCB57EN	<b>Boom arm (570mm)</b>
4-1	CT44Q	Cymbal tilter assembly
4-11	CT44-11N	Cymbal tilter only
4-12	RB8P	Cymbal bottom (2pcs/pack)
4-13	7081P	Felt washer (2pcs/pack)
4-14	QC8	Quick set cymbal mate
4-2	B840	Bolt (M8x40mm)
4-3	WN8WTW	T-nut (M8), washer, thin washer assembly
4-31	WN8P	Wing nut (M8, 2pcs/Pack)
4-4	CT44-FPC	Friction plates (Chrome), plate and bolt assembly
4-5	CT44-FPB	Friction plates (Black), plate and bolt assembly
<b>5</b>	WA900	<b>Counter weight</b>