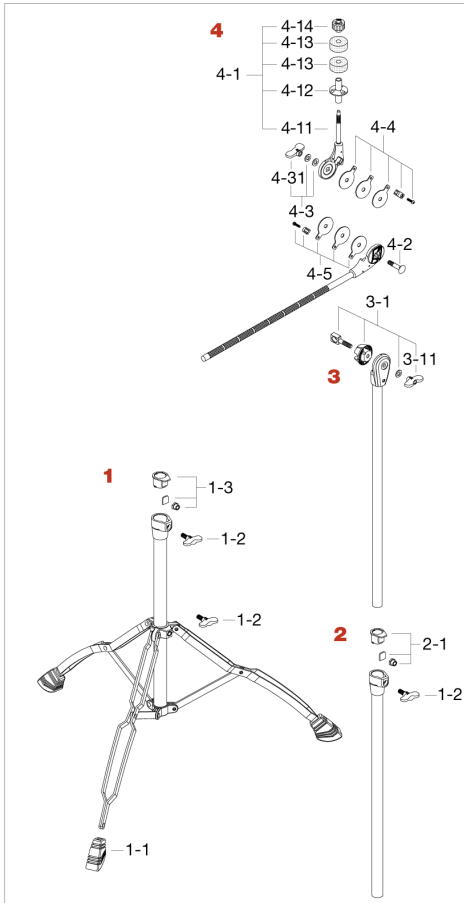


HC63BW Boom Cymbal Stand

Production since May. 2012



No.	Model No.	Description
1	HC62W1	Base assembly
1-1	RFCWP3	Rubber tip (3pcs/set) for double braced leg
1-2	TTR816P	T-bolt (M8x16mm,2pcs/set)
1-3	NB2522T	Nylon bushing (25.4mm-22.2mm)
2	HC42WN2	Center tube assembly
2-1	NB2219T	Nylon bushing (22.2mm-19.1mm)
3	HC43BWN3	Upper tube assembly
3-1	HC33BW32	Boom tilter assembly
3-11	WRN8P	Wing nut (M8, 2pcs/Pack)
4	HC63BW4	Boom arm (400mm)
4-1	CT44N	Cymbal tilter assembly
4-11	CT44-11N	Cymbal tilter only
4-12	RB8P	Cymbal bottom (2pcs/pack)
4-13	7081P	Felt washer (2pcs/pack)
4-14	CM8P	Fixing nut (M8,2pcs/pack)
4-2	B840	Bolt (M8x40mm)
4-3	WN8WTW	T-nut (M8), washer, thin washer assembly
4-31	WN8P	Wing nut (M8, 2pcs/Pack)
4-4	CT44-FPC	Friction plates (Chrome), plate and bolt assembly
4-5	CT44-FPB	Friction plates (Black), plate and bolt assembly