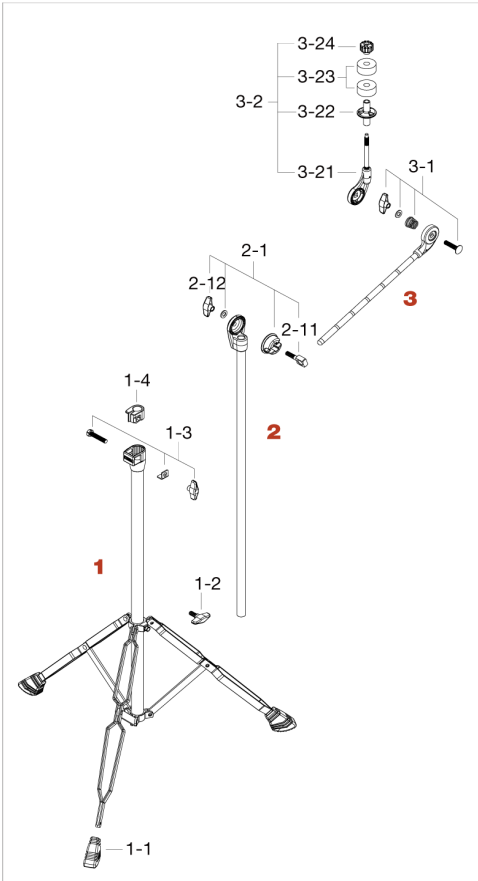


HC13BW Boom Cymbal Stand <Discontinued>

Production from Aug. 2010 to Nov. 2013



No.	Model No.	Description
1	HC12W1	Base assembly
1-1	RFIWP3	Rubber tip (3pcs/set) for double braced leg
1-2	TS816P	T-bolt (M8x16mm, 2pcs/set)
1-3	HB840WN8L	Bolt (M8x40mm), L-plate, & nut assembly
1-4	PB191H	Nylon bushing (19.1mm-15.9mm)
2	HC13BW2	Upper tube assembly
2-1	HC33BW32	Boom tilter assembly
2-11	EBA830	Eye bolt (M8x30mm)
2-12	WN8P	Wing nut (2pcs/set)
3	HC13BW3	Upper rod w/ tilter
3-1	B835WN8T	Bolt (M8x35mm), washer, spring & nut assembly
3-2	CT33	Cymbal tilter assembly
3-21	CT331	Cymbal tilter only
3-22	RB8P	Cymbal bottom (2pcs/set)
3-23	7081P	Felt washer (2pcs/set)
3-24	CM8P	Cymbal mate (M8, 2pcs/set)