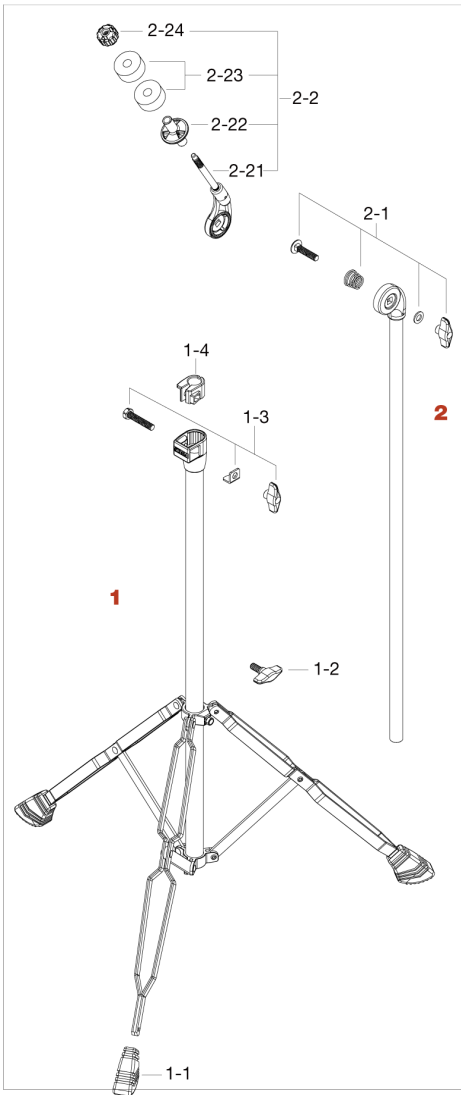


# HC12W Straight Cymbal Stand <Discontinued>

Production from Aug. 2010 to Nov. 2013



No.	Model No.	Description
<b>1</b>	HC12W1	<b>Base assembly</b>
1-1	RFIWP3	Rubber tip (3pcs/set) for double braced leg
1-2	TS816P	T-bolt (M8x16mm, 2pcs/set)
1-3	HB840WN8L	Bolt (M8x40mm), L-plate, & nut assembly
1-4	PB191H	Nylon bushing (19.1mm-15.9mm)
<b>2</b>	HC12W2	<b>Upper tube assembly</b>
2-1	B835WN8T	Bolt, spring, washer & nut assembly
2-2	CT33	Cymbal tilter assembly
2-21	CT331	Cymbal tilter only
2-22	RB8P	Cymbal bottom (2pcs/set)
2-23	7081P	Felt washer (2pcs/set)
2-24	CM8P	Cymbal mate (M8, 2pcs/set)