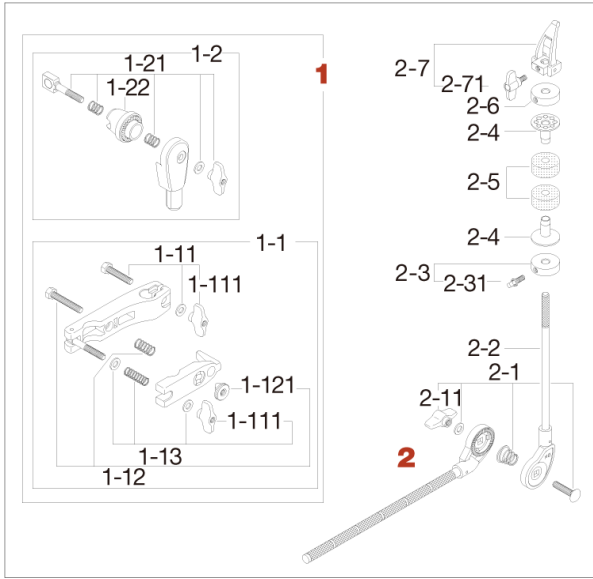


Closed Hi-Hat Attachment MXA63E

Production until Dec. 2001



No.	Model No.	Description
1	MC66	Universal clamp
1-1	MC61	Multi-clamp
1-11	HB840WN8	Bolt w/nut & washer
1-111	WN8P	Wing nut (2pcs/pack)
1-12	HB855RN8T	Bolt w/ nut & spring
1-121	RN8	Round nut (M8)
1-13	WN8SPW	Wing nut (M8) w/ spring & washers
1-2	MTA6	Boom tilter assembly
1-21	EBA8WN8T	Bolt, springs, washer & nut assembly
1-22	EHZN2	Boom tilter casting
2	MXA63-2	Upper rod complete
2-1	B835WN8T	Bolt, spring, washer & nut assembly
2-11	WN8P	Wing nut (M8, 2pcs/pack)
2-2	CSA30-11	Cymbal rod only
2-3	CSA30-12	Metal washer w/ square head bolt
2-31	MS615SH	Square head bolt (M6x15mm)
2-4	CSA30-13	Cymbal bottom seat
2-5	7081P	Felt washer (2pcs/pack)
2-6	MXA63-26	Metal washer
2-7	MXA63-27	Tension lever assembly
2-71	TS610	T-bolt (M6x10mm)