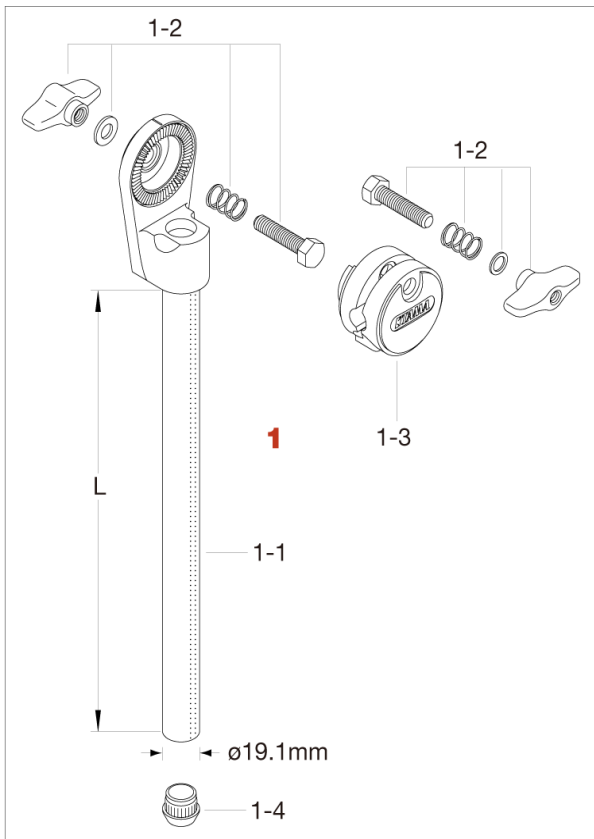
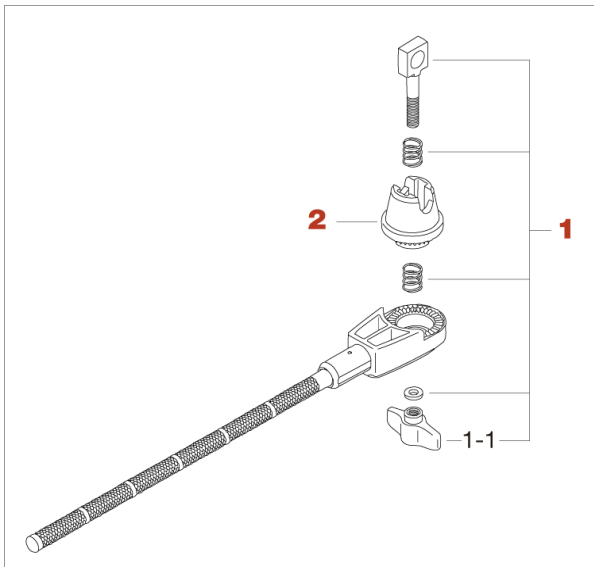


Ratchet Boom MRB30/MTA30/MTA45



MRB30

No.	Model No.	Description
1	EBA8WN8T	Bolt, spring, washer & nut assembly
1-1	WN8P	Wing nut (M8, 2pcs/pack)
2	EHZN2	Boom tilter casting

MTA30/MTA45

No.	Model No.	Description
1	MTA30	Ratchet Arm (300mm)
1	MTA45	Ratchet Arm (450mm)
1-1	MTA30R-1	Tube only for MTA30
	MTA45R-1	Tube only for MTA45
1-2	HB835WN8T	Bolt, spring, washer & nut assembly
1-3	HC83B-33	Pressure casting
1-4	IRC19S	Insert rubber cap (19.1mm)