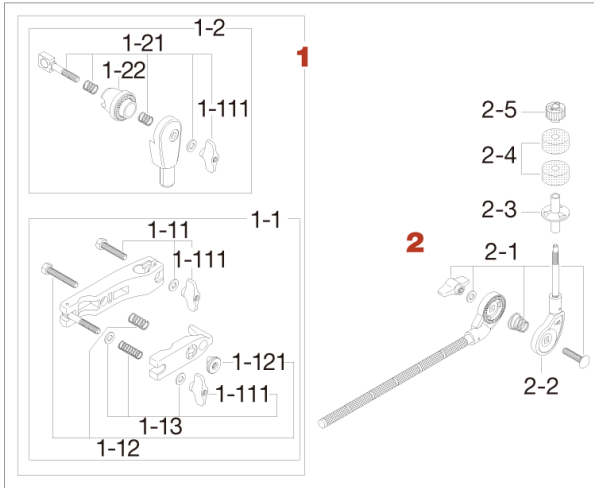


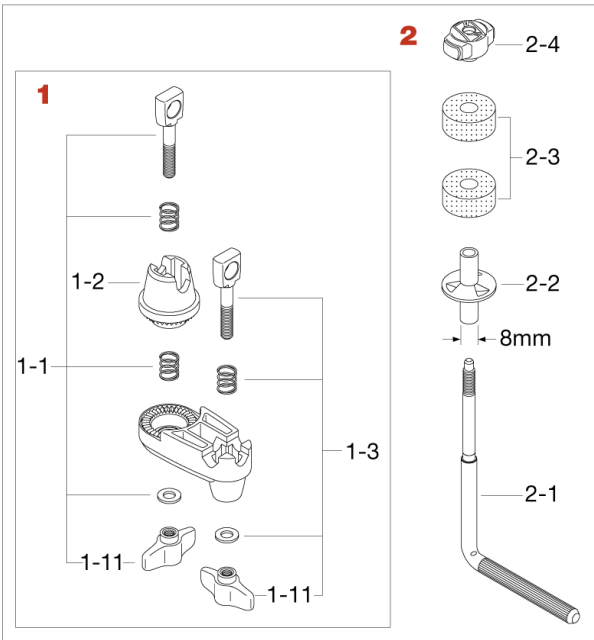
# Cymbal Adapter MCA63,CYA5

Production from 2002 to 2009



## MCA63E

No.	Model No.	Description
<b>1</b>	MC66	Universal clamp
1-1	MC61	Multi-clamp
1-11	HB840WN8	Bolt w/nut & washer
1-111	WN8P	Wing nut (M8, 2pcs/pack)
1-12	HB855RN8T	Bolt w/nut & spring
1-121	RN8	Round nut (M8)
1-13	WN8SPW	Wing nut (M8) w/spring & washers
1-2	MTA6	Boom tilter assembly
1-21	EBA8WN8T	Bolt, springs, washer & nut assembly
1-22	EHZN2	Boom tilter casting
<b>2</b>	MCB30E	Boom arm
2-1	B835WN8T	Bolt, spring, washer & nut assembly
2-2	CT44-11	Cymbal tilter only
2-3	RB8P	Cymbal bottom (M8, 2pcs/pack)
2-4	7081P	Felt washer (2pcs/pack)
2-5	CM8P	Fixing nut (M8,2pcs/pack)



## CYA5E

No.	Model No.	Description
<b>1</b>	MC5	Compact clamp
1-1	EBA8WN8T	Bolt, springs, washer & nut assembly
1-11	WN8P	Wing nut (M8, 2pcs/pack)
1-2	EHZN2	Boom tilter casting
1-3	EBA8WN8W	Bolt, spring, washer & nut assembly
<b>2</b>	LCYE	Cymbal L-rod (M8)
2-1	LCYE-1	L-rod for LCYE (M8)
2-2	RB8P	Cymbal bottom (M8, 2pcs/pack)
2-3	7081P	Felt washer (2pcs/pack)
2-4	CM8P	Fixing nut (M8,2pcs/pack)