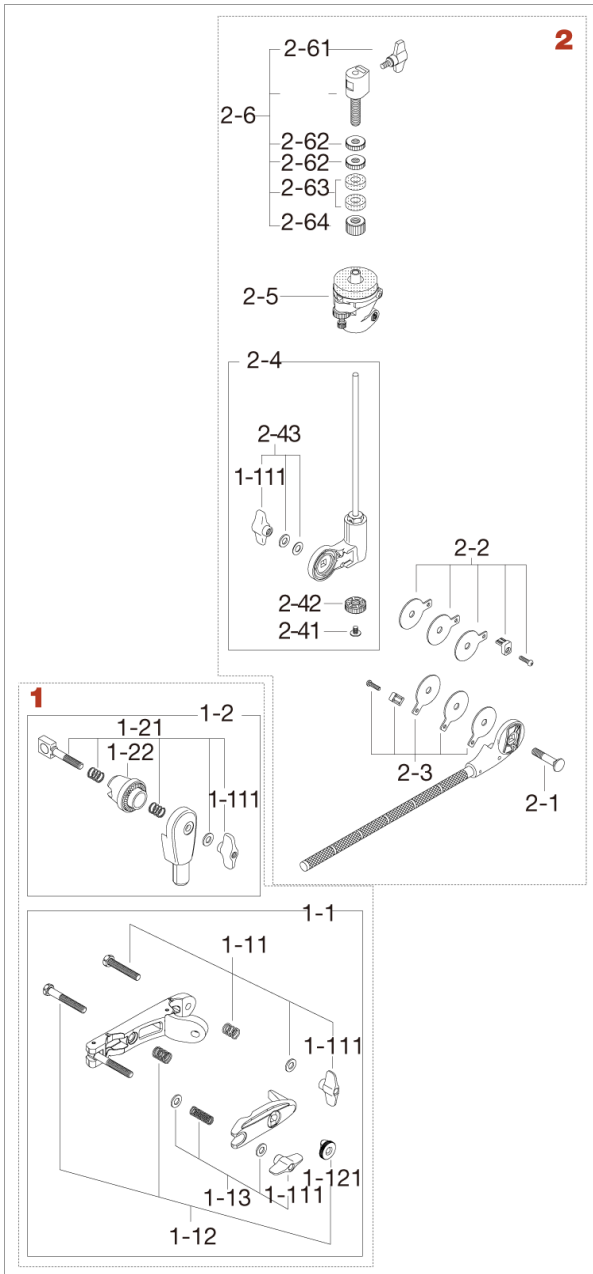


Affordable Closed Hi-Hat Attachment MXA73

Production since. Nov. 2014



No.	Model No.	Description
1	MC66	Universal clamp
1-1	MC61	Multi-clamp
1-11	HB845WN8T	Bolt w/Wing nut & spring
1-111	WN8P	Wing nut (M8, 2pcs/pack)
1-12	HB855RN8T	Bolt w/nut & spring
1-121	RN8	Round nut (M8)
1-13	WN8SPW	Wing nut (M8) w/spring & washers
1-2	MTA6	Boom tilter assembly
1-21	EBA8WN8T	Bolt, springs washer & nut assembly
1-22	EHZN2	Boom tilter casting
2	MXA73A	Closed hi-hat arm assembly
2-1	B840	Bolt (M8x40mm)
2-2	CT44-FPC	Friction plates (Chrome), plate and bolt assembly
2-3	CT44-FPB	Friction plates (black), plate and bolt assembly
2-4	MXA73A1	Rod assembly
2-41	L508	Bolt (M5x8mm)
2-42	HTB5-15	Adjust nut only
2-43	WN8WTW	T-nut (M8), washer, belleville washer assembly
2-5	SB15N	Hi-hat bottom assembly
2-6	CL08	Hi-hat clutch
2-61	TS610	T-bolt (M6x10mm)
2-62	CL08-12	Lock nut (1pc)
2-63	CL08-13P	Felt washer (2pcs/pack)
2-64	CL08-14	Non-loose metal nut