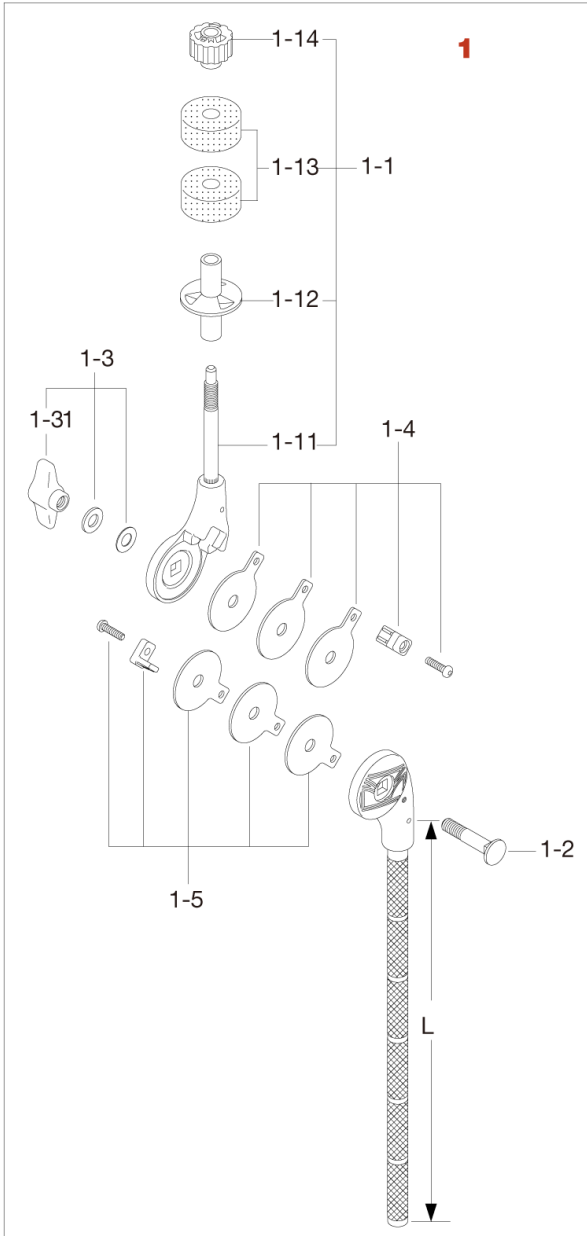


Boom Arm MCB30EN/MCB45EN

Production from Nov. 2009



No.	Model No.	Description
1	MCB30EN	Boom Arm (L:300mm)
1	MCB45EN	Boom Arm (L:450mm)
1-1	CT44Q	Cymbal tilter assembly
1-11	CT44-11N	Cymbal tilter only
1-12	RB8P	Cymbal bottom (2pcs/pack)
1-13	7081P	Felt washer (2pcs/pack)
1-14	QC8	Quick set cymbal mate
1-2	B840	Bolt (M8x40mm)
1-3	WN8WTW	T-nut (M8), washer, thin washer assembly
1-31	WN8P	Wing nut (M8, 2pcs/pack)
1-4	CT44-FPC	Friction plates (Chrome), plate and bolt assembly
1-5	CT44-FPB	Friction plates (Black), plate and bolt assembly