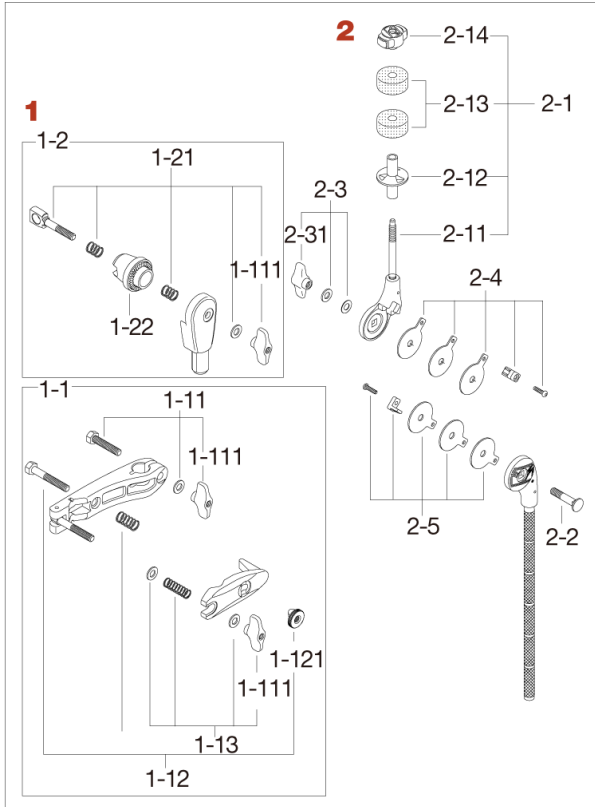


# Cymbal Attachment MCA63EN

Production since Nov. 2009



No.	Model No.	Description
<b>1</b>	<b>MC66</b>	<b>Universal clamp</b>
1-1	MC61	Multi-clamp
1-11	HB840WN8	Bolt w/nut & washer
1-111	WN8P	Wing nut (M8, 2pcs/pack)
1-12	HB855RN8T	Bolt w/nut & spring
1-121	RN8	Round nut (M8)
1-13	WN8SPW	Wing nut (M8) w/spring & washers
1-2	MTA6	Boom tilter assembly
1-21	EBA8WN8T	Bolt, springs, washer & nut assembly
1-22	EHZN2	Boom tilter casting
<b>2</b>	<b>MCB30EN</b>	<b>Boom Arm</b>
2-1	CT44Q	Cymbal tilter assembly
2-11	CT44-11N	Cymbal tilter only
2-12	RB8P	Cymbal bottom (2pcs/pack)
2-13	7081P	Felt washer (2pcs/pack)
2-14	QC8	Quick set cymbal mate
2-2	B840	Bolt (M8x40mm)
2-3	WN8WTW	T-nut (M8), washer, thin washer assembly
2-31	WN8P	Wing nut (M8, 2pcs/pack)
2-4	CT44-FPC	Friction plates (Chrome), plate and bolt assembly
2-5	CT44-FPB	Friction plates (Black), plate and bolt assembly