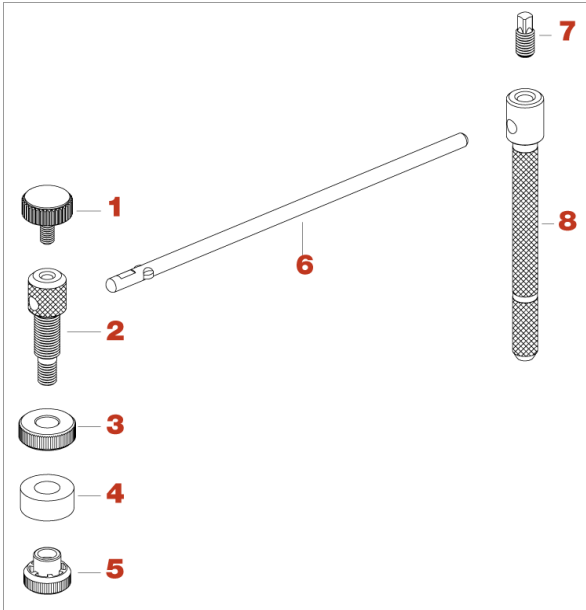


## Z-Rods HCA20



No.	Model No.	Description
1	PST612	Thumb Screws (M6X12mm)
2	HCA20B2	Holder only
3	HTB5-15	Lock nut
4	CL08-13P	Felt washer (2pcs/set)
5	RNN8L	Round nylon nut (M8)
6	HCA20B1	Arm only
7	S812SH	Square head bolt (M8x12mm)
8	HCA20A1	Mounting rod