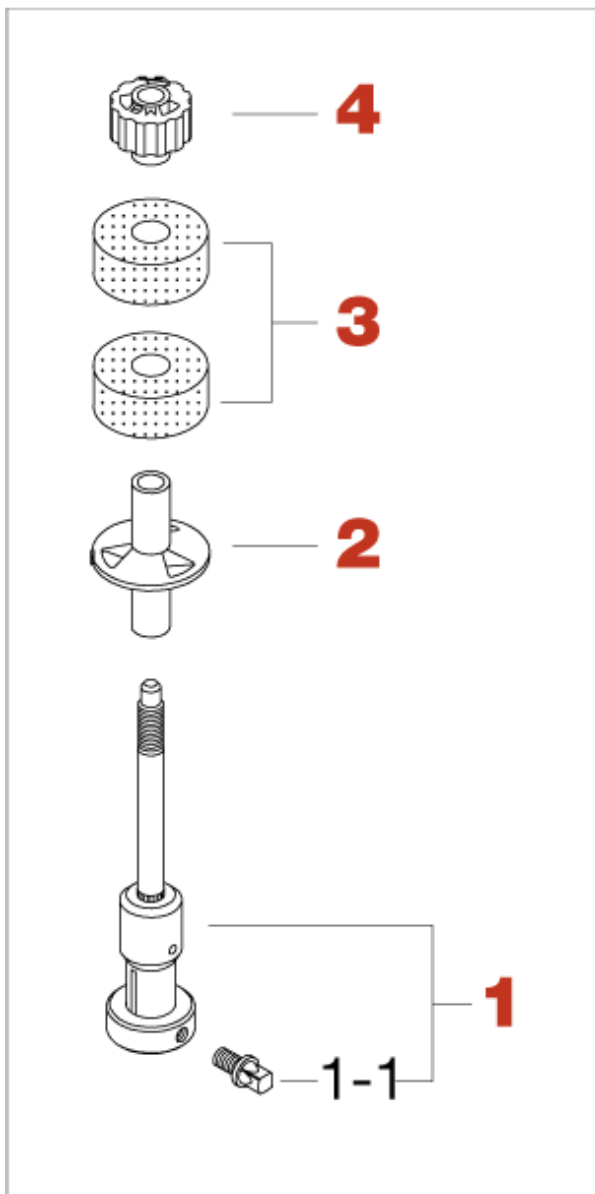


Cymbal Stacker CSA15

Production since Nov. 2012



No.	Model No.	Description
1	CSA151	Cymbal Stacker Base Tube Only
1-1	MS610SHP	Square head bolt (M6x10mm), 2pcs/set
2	RB8P	Cymbal bottom (M8, 2pcs/pack)
3	7081P	Felt washer (2pcs/pack)
4	CM8P	Fixing nut (M8,2pcs/pack)