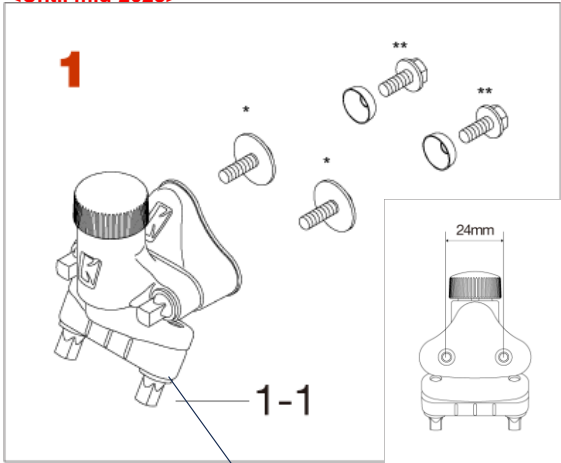


## “Linear-Drive” Butt MLS50B

MLS50B has two types of strap hold plate: one that slides and one that does not. The non-sliding type can only be purchased as a complete part; the strap hold plate only is compatible with the sliding type, so please purchase MLSHP or MLSHPBN.

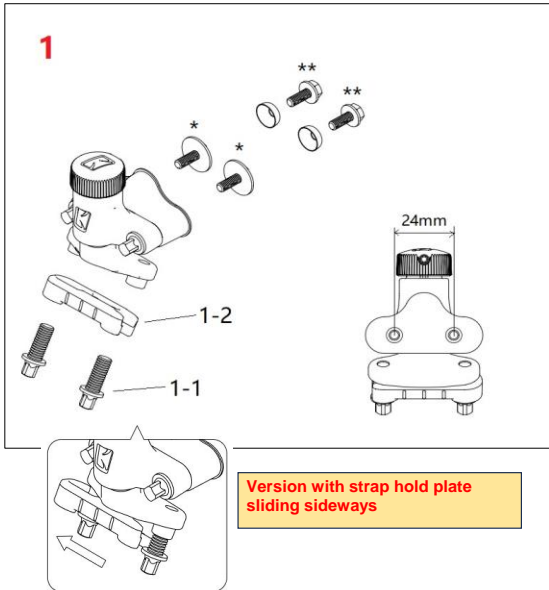
<Until mid-2023>



\*The strap hold plate is compatible with 1-2 below.

No.	Model No.	Description
1	MLS50B	Snare butt w/ spacer (Chrome)
	MLS50BBN	Snare butt w/ spacer (Black Nickel)
	MLS50BU	Snare butt w/ spacer (Smoked Black Nickel)
1-1	MS615SH	Square head bolt M6x20mm (Chrome)
	MS615SHBN	Square head bolt M6x20mm (Black Nickel)
*sold separately	MS410N20P	Mounting screw M4x10mm, silver (20pcs/set) for wood shell (5mm thickness)
	MS412B20P	Mounting screw M4x12mm, black (20pcs/set) for wood shell (5-8mm thickness)
	MS412N20P	Mounting screw M4x12mm, silver (20pcs/set) for wood shell (5-8mm thickness)
	MS414B20P	Mounting screw M4x14mm, black (20pcs/set) for wood shell (8-9mm thickness)
	MS416N20P	Mounting screw M4x16mm, silver (20pcs/set) for wood shell (9-11mm thickness)
	MS416B20P	Mounting screw M4x16mm, black (20pcs/set) for wood shell (9-11mm thickness)
**sold separately	MS410R20P	Mounting screw M4x10mm w/ rosette, black (20pcs/set) for metal shell
	MS412R20P	Mounting screw M4x12mm w/rosette, black (20pcs/set) for metal shell (3mm thickness)

<From mid-2023>



Version with strap hold plate sliding sideways

Model in which the cover (holding plate) that secures the snappy cord/tape slides.

No.	Model No.	Description
1	MLS50B	Snare butt w/ spacer (Chrome)
	MLS50BBN	Snare butt w/ spacer (Black Nickel)
	MLS50BU	Snare butt w/ spacer (Smoked Black Nickel)
1-1	MS615SH	Square head bolt M6x20mm (Chrome)
	MS615SHBN	Square head bolt M6x20mm (Black Nickel)
1-2	MLSHP	Strap hold plate (Chrome)
	MLSHPBN	Strap hold plate (Black Nickel)
*sold separately	MS410N20P	Mounting screw M4x10mm, silver (20pcs/set) for wood shell (5mm thickness)
	MS412B20P	Mounting screw M4x12mm, black (20pcs/set) for wood shell (5-8mm thickness)
	MS412N20P	Mounting screw M4x12mm, silver (20pcs/set) for wood shell (5-8mm thickness)
	MS414B20P	Mounting screw M4x14mm, black (20pcs/set) for wood shell (8-9mm thickness)
	MS416N20P	Mounting screw M4x16mm, silver (20pcs/set) for wood shell (9-11mm thickness)
	MS416B20P	Mounting screw M4x16mm, black (20pcs/set) for wood shell (9-11mm thickness)
**sold separately	MS410R20P	Mounting screw M4x10mm w/ rosette, black (20pcs/set) for metal shell
	MS412R20P	Mounting screw M4x12mm w/rosette, black (20pcs/set) for metal shell (3mm thickness)