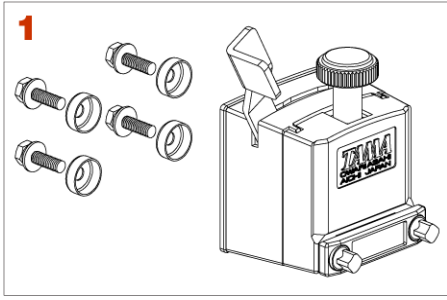
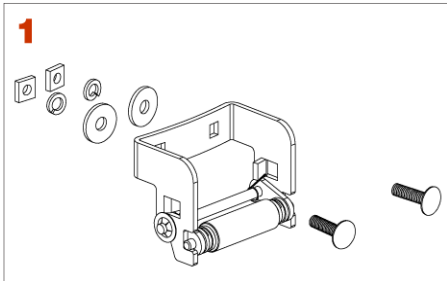


MASTERCRAFT Strainer / Butt / Guide Roller 6302N / 6303N / 6338N



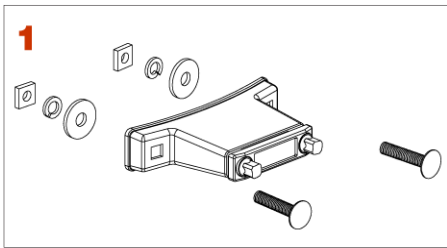
No.	Model No.	Description
1	6302N	Snare strainer complete

*Note: 6302N come standard with MS414HSB1N and Metal Cup Washers



No.	Model No.	Description
1	6338N	Guide Roller

*Note: 6338N come standard with MBM518 (5x18mm Bolts), Metal Washers, Spring Washers and Square Nuts



No.	Model No.	Description
1	6303N	Snare butt complete

*Note: 6303N come standard with MBM525 (5x25mm Bolts), Metal Washers, Spring Washers and Square Nuts
