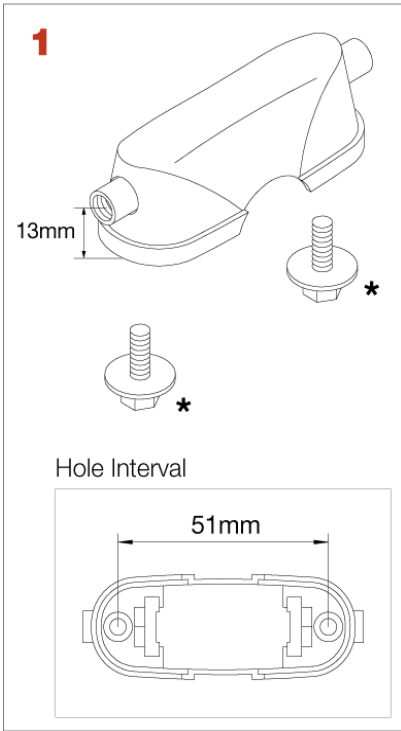
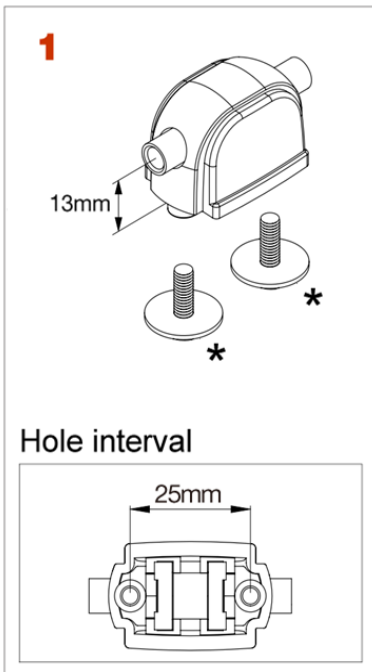


Club-JAM Snare Drums

Club-JAM, Club-JAM Mini, Club-JAM Flyer, Club-JAM Suitcase



No.	Model No.	Description
1	MSLRMS	Snare drum lug
*sold separately	MS412B20P	Mounting Screw M4x12mm (20pcs/set)



Club-JAM Pancake

No.	Model No.	Description
1	MSL-SCPD	Lug for Snare Drum
*sold separately	MS414B20P	M4x14mm, 20pcs/set