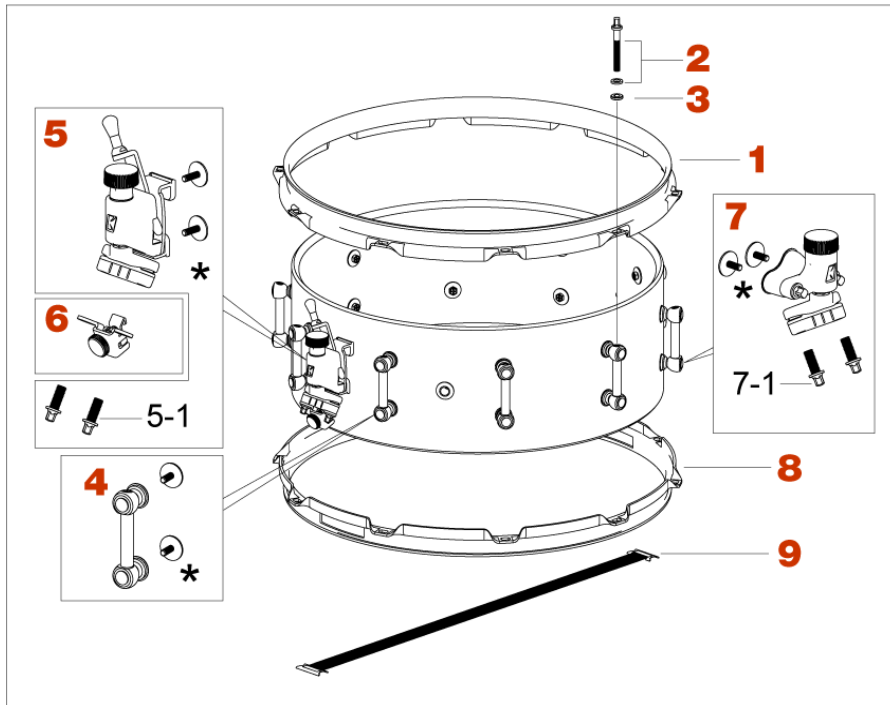


Concert Maple Snare Drum - CLMP145

Production 2021/5-



No.	Model No.	Description
1	MFM14-10	Steel Mighty Hoop 14", 10 hole
2	MS642SHP	Tension Bolt M6x42mm w/Metal Washer (set of 2)
3	PW620	Nylon washer (set of 20)
4	MTL50	Lug for 5" Depth w/Plastic plate
*sold separately	MS412B20P	Mounting Screw M4x12mm (set of 20)
5	MLS50AC	Linear-Drive Strainer for concert w/Plastic Plate Set
5-1	MS615SH	Square Head Bolt M6x15mm (1pc)
*sold separately	MS414B20P	Mounting Screw M4x14mm (set of 20)
6	MLS50ADJ	Fine Adjuster for MLS50A
7	MLS50BC	Snare Butt for concert w/Plastic Plate
7-1	MS615SH	Square Head Bolt M6x15mm (1pc)
*sold separately	MS412B20P	Mounting Screw M4x12mm (set of 20)
8	MFM14S-10	Steel Mighty Hoop 14", 10 hole for Snare Side
9	MS12NN14L	Hybrid Snare Wire, 12 strand, Long

Hole interval

